

Fire protection

Angle hose valves
8511003 and 851104 series

SLION®



8511003

8511004

Description

Forged brass hose valve, angle pattern for the control of the flow of water from a pipe out to the valve and usually along a standpipe riser.

Turning the handle of the hose valve allows the water to flow out from the valve, or shuts it off to prevent any more water from running out.

It is used with a Fire Hose Rack Assembly, or as a Fire Department outlet connection.

Female NPT inlet and Female NPT outlet (8511003) or male hose thread outlet (8511004). 300 lbs rated. With red handwheel.

Versions and product codes

Series	Size	Type	Finishing
8511003	1 1/2"	NPT inlet (F)	Rough Brass
	X	X	Polished Brass
	1 1/2"	NPT inlet (F)	Rough Chrome
8511004	1 1/2"	NPT inlet (F)	Rough Chrome
	X	X	Polished Chrome
	1 1/2"	Hose thread outlet (M)	

Technical data

.Rated pressure: 300 PSI (20.6 bar)

Materials

.Body: forged brass CuZn40Pb2 in accordance with European Standard EN

12165 CW617N, similar to American Standard ASTM B124 C37700

-Yield stress of the material in the shape of bar: 360 MPa

-Stress for permanent distortion R(0.2): 138 MPa

-Elongation: 10 %

.Shutter: forged brass CuZn40Pb2 in accordance with European Standard EN

12165 CW617N, similar to American Standard ASTM B124 C37700

.Stem: brass EN 12164 CW614N similar to American Standard ASTM B124 C37700

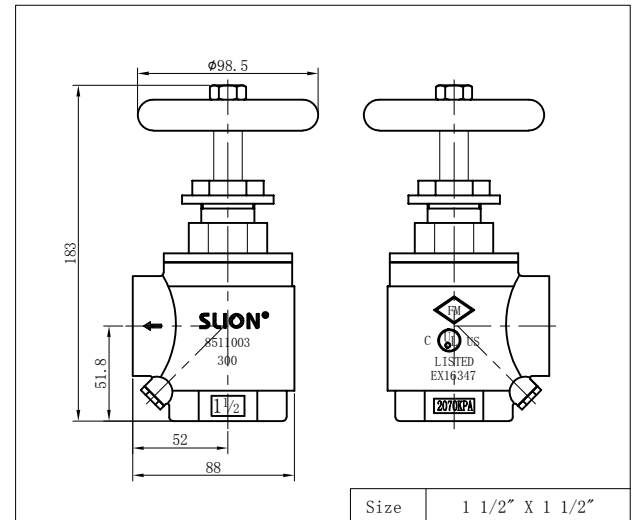
.Handwheel: red painted iron- Rated pressure 300 psi

Approvals: 8511003 and 8511004



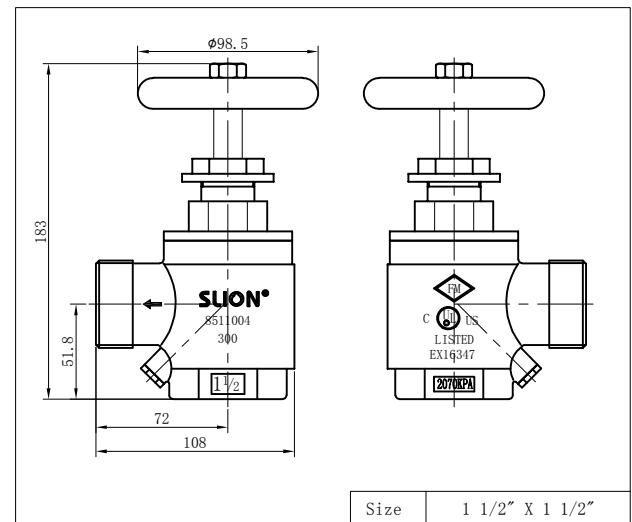
Dimensions

8511003-FEMALE x FEMALE NPT THREAD



Size 1 1/2" X 1 1/2"

8511004-FEMALE NPT THREAD x MALE HOSE THREAD



Size 1 1/2" X 1 1/2"

Product specifications

8511003 1 1/2"

Angle hose valve, used with fire hose rack assembling or as Fire Department

outlet connection with main feature as following:

- Forged brass body
- Forged brass shutter
- 1 1/2" female NPT inlet
- 1 1/2" female NPT outlet
- Aluminum red painted hand wheel
- Rated pressure 300 psi
- FM approved and UL listed

8511004 1 1/2"

Angle hose valve, used with fire hose rack assembling or as Fire Department

outlet connection with main feature as following:

- Forged brass body
- Forged brass shutter
- 1 1/2" female NPT inlet
- 1 1/2" male hose thread outlet
- Aluminum red painted hand wheel
- Rated pressure 300 psi
- FM approved and UL listed